



SHSCHEMATICS AND PARTS LIST

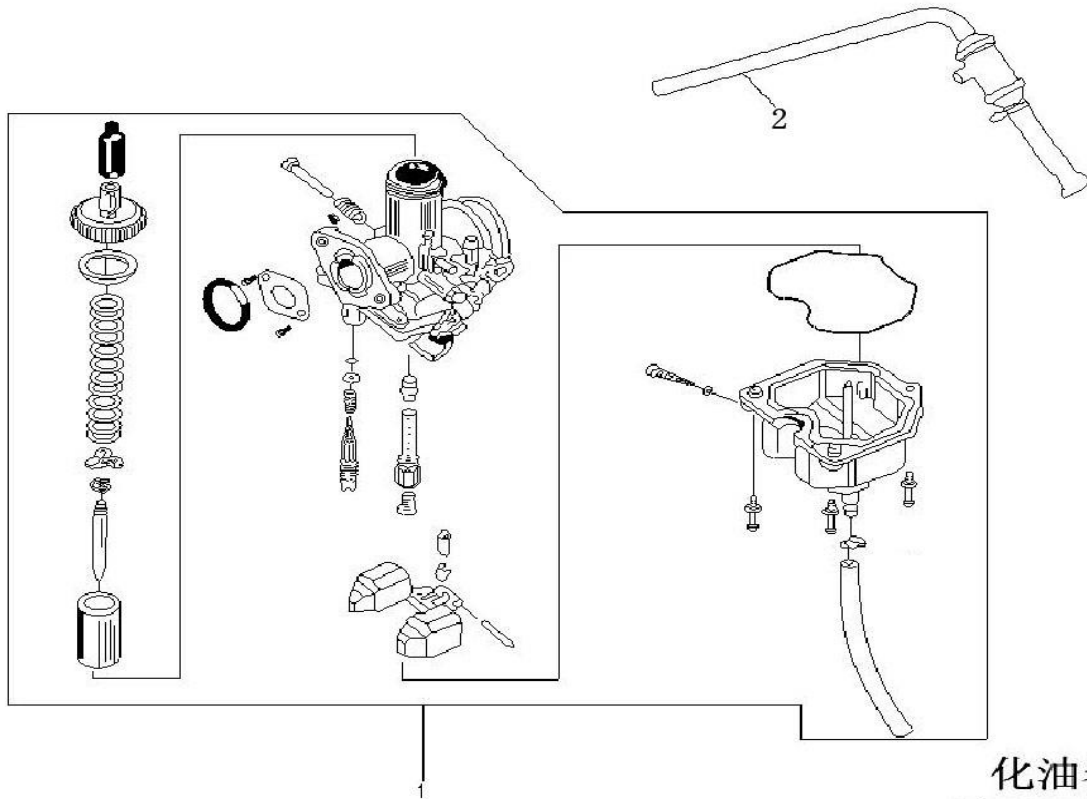
	PAGE	
	1	
	13	
	14	
	15	
	16	
	17	
	18	
	19	
	20	
	21	
	22	
	23	
	24	
	25	





汽油机总成 ENGINE ASSY.

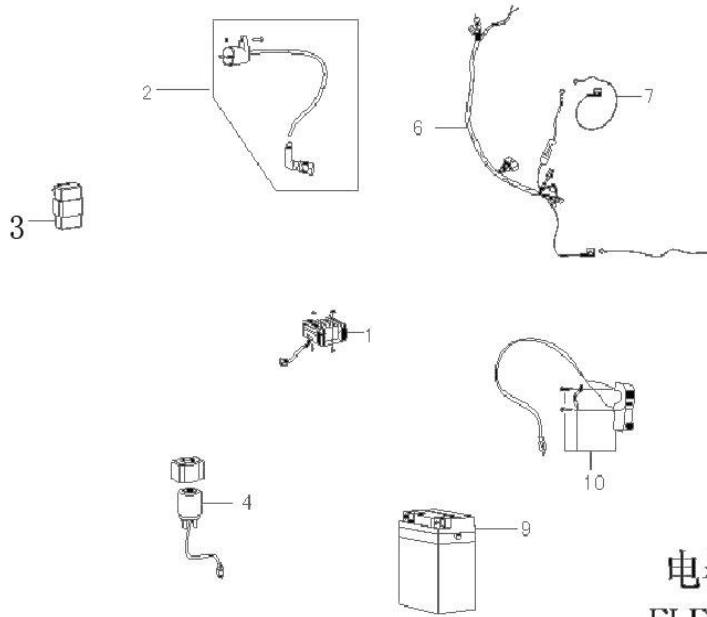
序号	件号	规格型号	英文名称
No..	Part No.	Type	English Description
1		EPA-36C鲸鱼款_立上电手_CG250_167FMM_国际5档_逆	ENGINE ASSY.



化油器
CARBURETOR

化油器 CARBURETOR

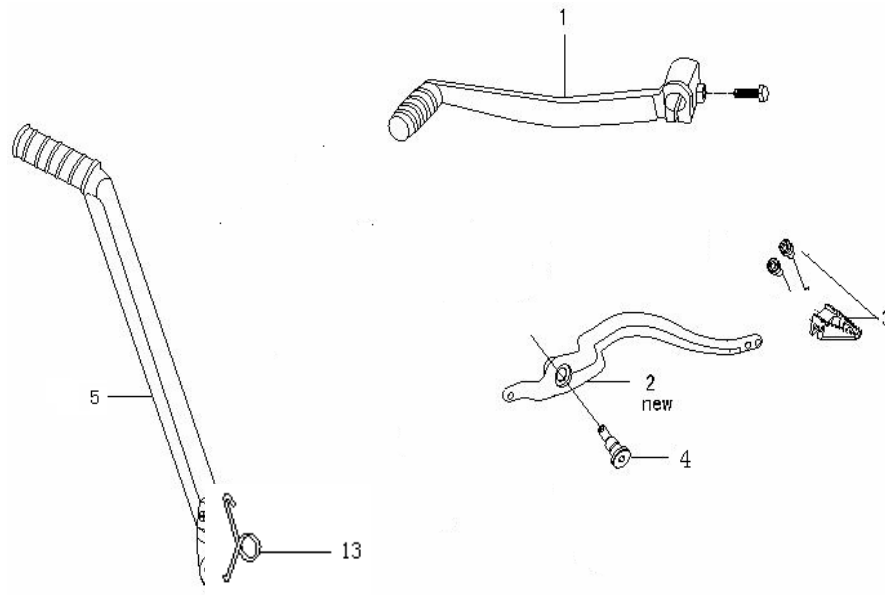
序号	件号	规格型号	英文名称
No.	Part No.	Type	Description
1	1400300440001	PZ30A-1_ERA (打码PZ30) (EPA放油管250mm)	CARBURETOR
2	1405000020001	EPA用_连接油管300mm	



电 器 件 (电 起 动) ELECTRIC (E-START)

序号	件号	规格型号	英文名称
No.	Part No.	Type	Description
1	1100300110010	36C_三相全波整流	RECTIFIER
2	1100100080110	30-WY125pb_(无商标)EPA_(打码Y-36-08220000)	COIL ASSY, IGNITION

3	1100400350001	配三相八级全波直流点火(无商标)EPA	CDI BOX
4	1100200010010	通用	STARTING SOLENOID
6	1100805310001	36C_直流	HARNEES (E-Start)
7	1500200030001	36系列	
9	1100600030010	12N9-4B-1 (12V9A)	BATTERY
10	1100500010001	电起动-750mm	START SWITCH ASSY(E-START)

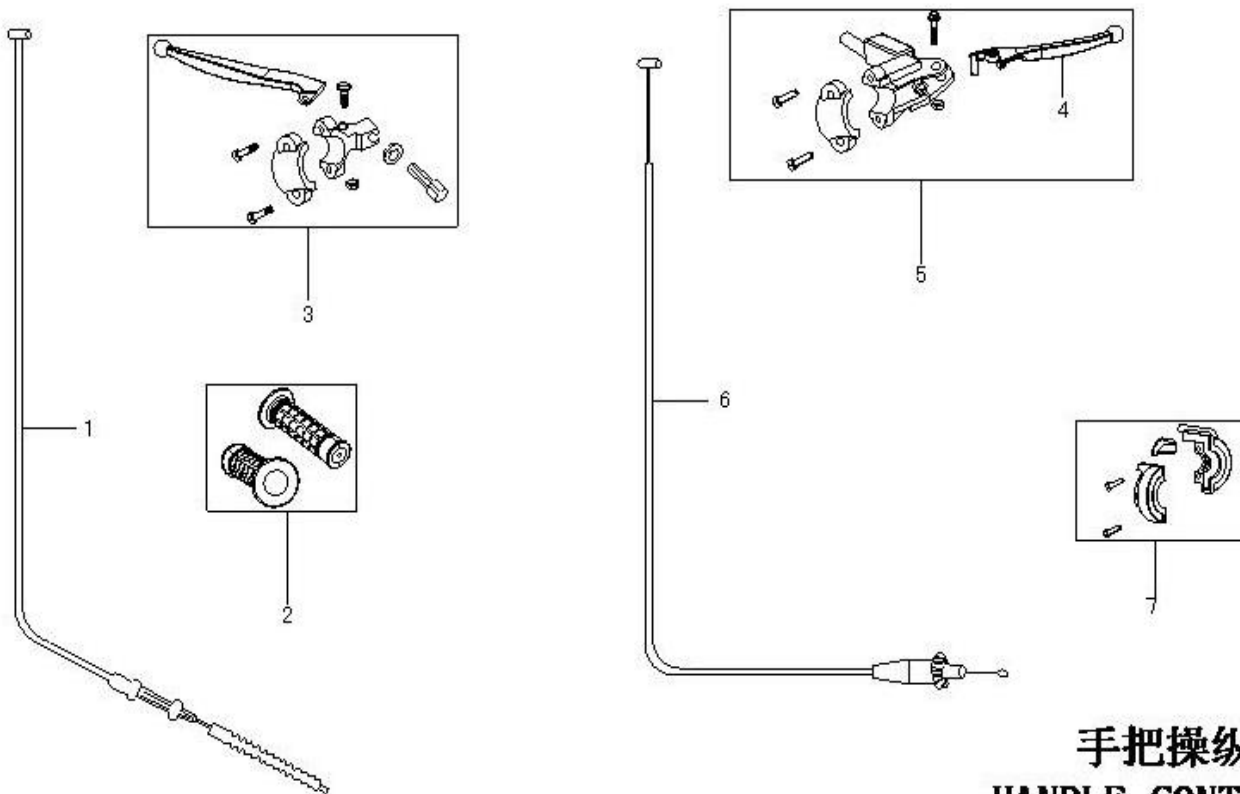


脚踏操纵件
PEDAL CONTROLLER

脚踏操纵件 PEDAL CONTROLLER

序号	件号	规格型号	英文名称
----	----	------	------

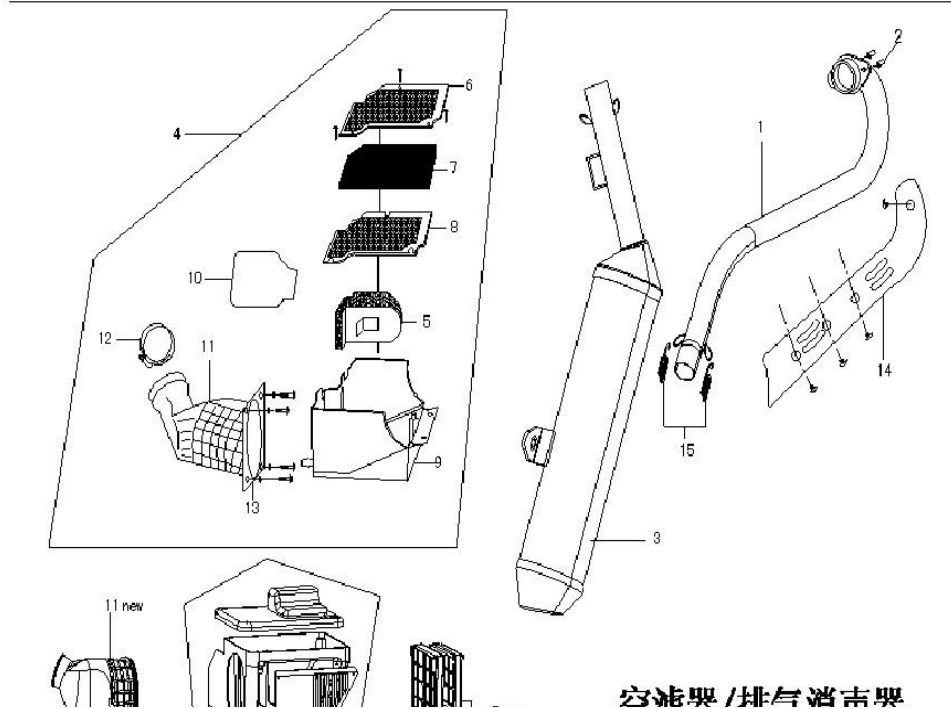
No.	Part No.	Type	Description
1	2020702010201	立式150-250CC(通用)	GEAR SHIFT LEVER
2	0701900160410	36-II-M10	RR.BRAKE LEVER.NEW DESIGN
3	0500500010501	APL- I	BRAKE LEVER TIP
4	0804102031501	36-新-M10	BOLT (M10)
5	2020701010101	立式125-250CC(鑫源. 宗申. 隆鑫)	KICK STARTER
13	0802902020107	36_3圈	SPRING



手把操纵件
HANDLE CONTROLLER

手把操纵件 HANDLE CONTROLLER

序号	件号	规格型号	英文名称
No.	Part No.	Type	Description
1	1401000120001	长1100mm_露120mm	CABLE ASSY, CLUTCH
2	0900100070010	APL-II-PPR	GRIP ASSY.
3	0100600160510	36C-插片式开关_不带反光镜固定座	CLUTCH LEVER ASSY.
4	0101200040510	A29B-铝	FR.BRAKE LEVER ASSY.
5	1401513060001	A29B-带刹车把手	OIL PUMP WITH BRAKE LEVER
6	1400900260001	长1000mm 露112mm	THROTTLE CABLE
7	0100500010510	APL- I	HOLDER ASSY,THROTTLE

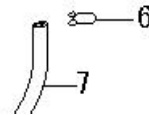


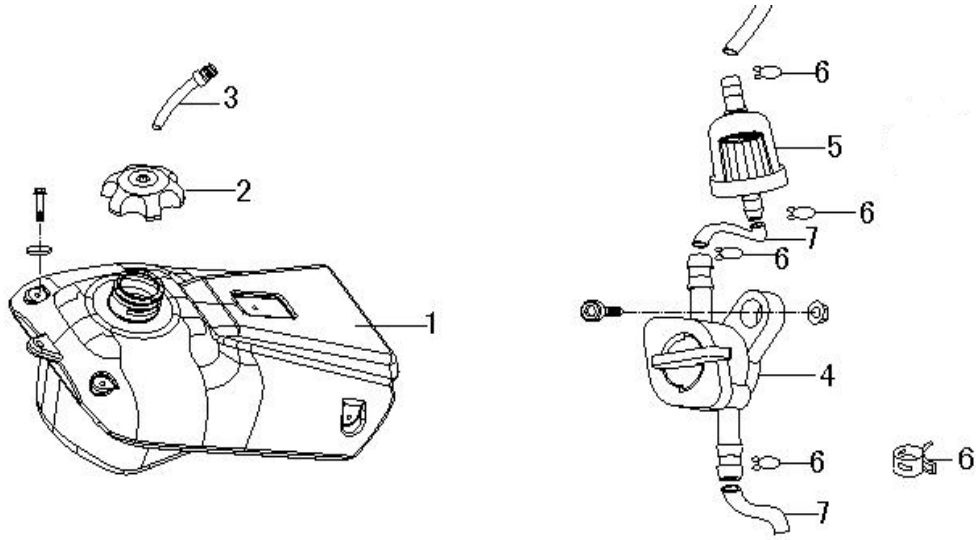


工 德 裕 / 排 气 消 声 器
AIR FILTER/MUFFLER

空 滤 器 / 消 声 器 AIR FILTER/MUFFLER

序号	件号	规格型号	英文名称
No.	Part No.	Type	Description
1	1401801310111	36越野(250CC. Φ38)抱箍式	EXHAUSE PIPE
2	0800501041501	M8X11mm	NUT
3	1401802280001	36越野(250CC)抱箍式直排	REAR EXHAUST PIPE
4	310205	EPA_A36系列	AIR FILTER ASSY.
5	1400503030001	30D	AIR FILTER
6	1400505010010	30D	UPPER SPONGE CLAPBOARD
7	1400502010001	30D(200X100X15mm)	SPONGE
8	1400505020010	30D	DOWN SPONGE CLAPBOARD
9	1003500070010	30D	CASE, AIR FILTER
10	1400505030010	30D	AIR FILTER PARTITION
11	0901801050010	30D系列. 30EF	AIR INLET PIPE
12	1400501041401	38-57	LOCK HOOP, CONNECT PIPE
13	1400504010710	30D	AIR INLET HOUSING BRACKET
14	1401910060001	36系列	EXHAUST SHIELD
15	0803203010101	40mm	SPRING

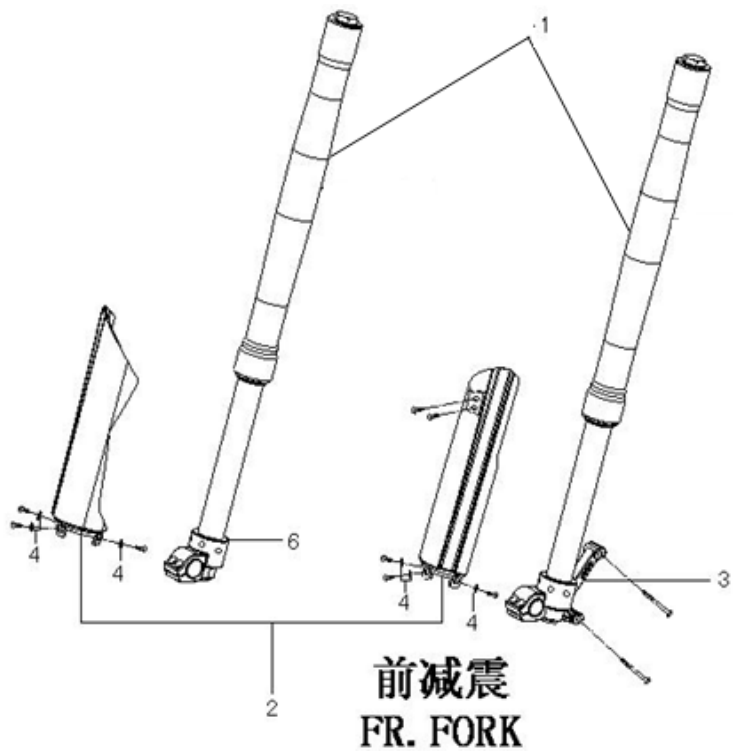




油箱/油开关 FUEL TANK/FUEL COCK

油箱/油开关 FUEL TANK/FUEL COCK

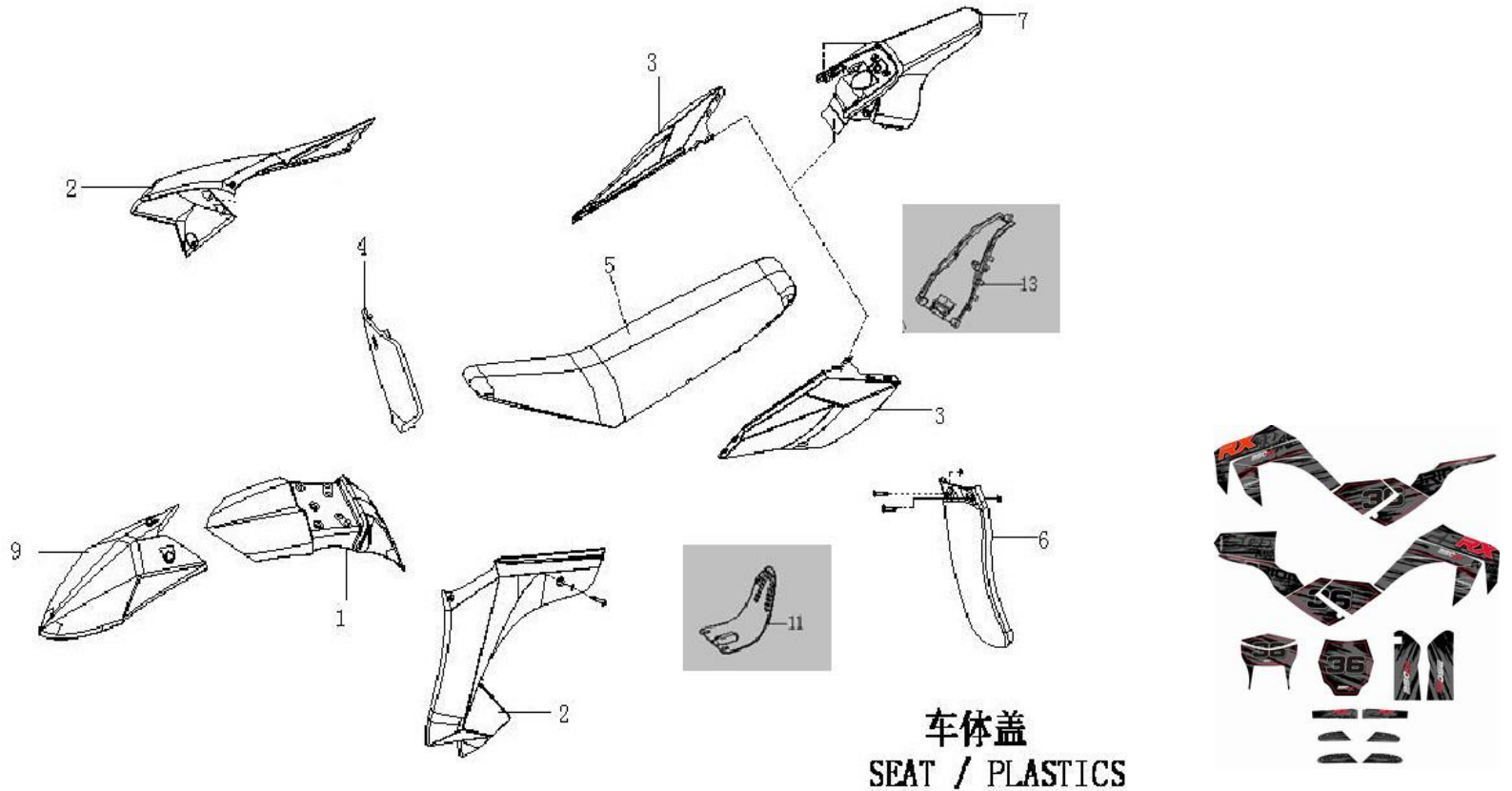
序号	件号	规格型号	英文名称
No.	Part No.	Type	Description
1	1001000270010	36款_铁	FUEL TANK
2	1001100100010	A36C_油箱盖EPA(打码Y-36-01050100)	FUEL CAP
3	1400600060001	单向高档	FUEL CAP BREATHER HOSE
4	1400400010001	29	PET-COCK
5	1001800010001	通用	FUEL FILTER
6	0704500070107	∅ 9X8X0.8	HOSE CLAMP
7	0901000050010	∅ 4.5X∅ 8.5	FUEL HOSE



前减震 FR.DAMPER

序号	件号	规格型号	英文名称
No.	Part No.	Type	Description
1	1401200550010	36低配_29#- II 铝头_不可调_830mm_φ48X51mm_24.8	ASSY FR.FORK.L
2	1000600030008	31	FORK PROTECTIVE COVER

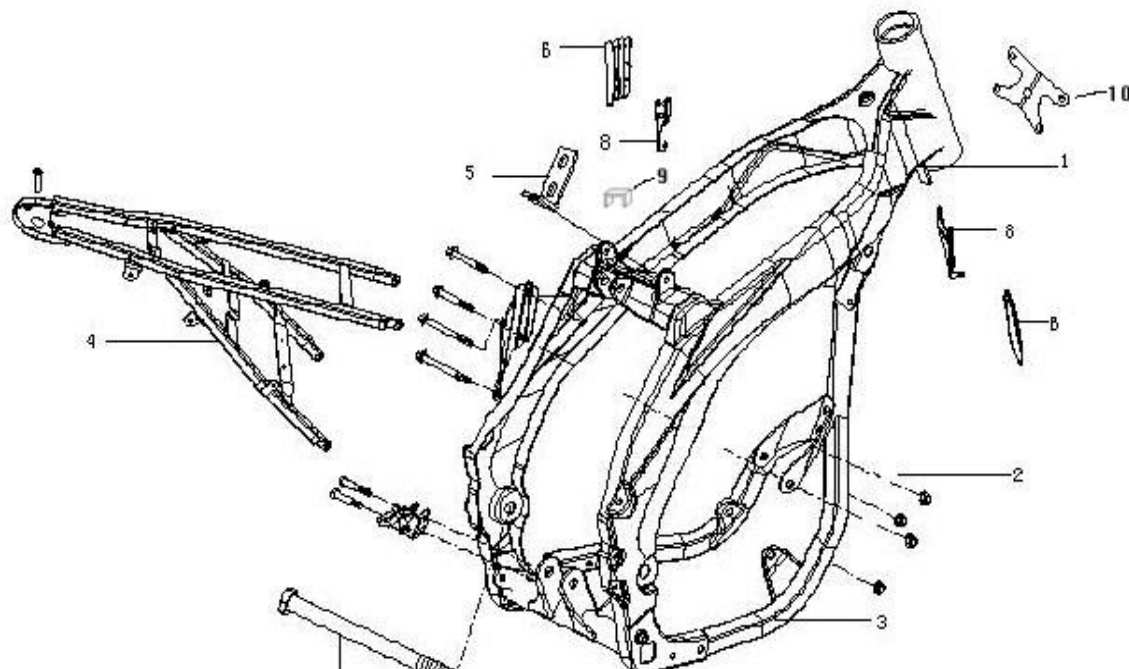
3	1401208040010	29#- II款_直径51mm_M12轴	ALUMINIUM TIP OF FRONT SHOCK.L
4	0820109021401	φ6Xφ16X1	WASHER φ6Xφ16X1
6	1401209040010	29#- II款_直径51mm_M12轴	ALUMINIUM TIP OF FRONT SHOCK.L



车体盖 SEAT / PLASTICS

序号	件号	规格型号	英文名称
No.	Part No.	Type	Description

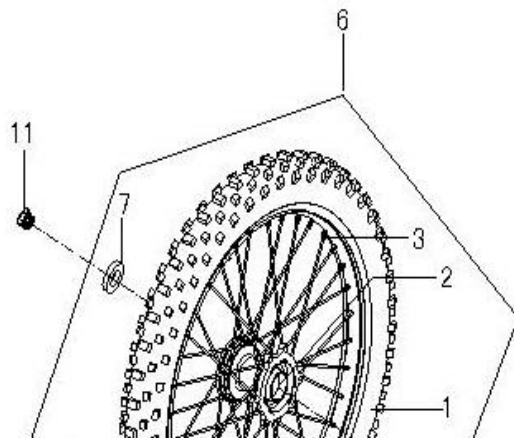
1	1001501070010	36	FRONT FENDER. REAR PART	A8
2	1000200100010	38	FRONT COVER	
3	1000300070010	36	REAR COVER	
4	1000400070010	36	MAME PLATE	
5	1001200150010	36	SEAT	
6	1001700020010	31	REAR MUD FLAP	
7	1000800080010	36	REAR FENDER	
9	1001501090010	36-21/18越野胎	FRONT FENDER. RRONT PART	
11	1000909010010	36	ENGINE PLATE(PLASTIC)	
13	1004700010010	36_塑料		
14	1002700250103	36-250CC	Stickers(whole set)	



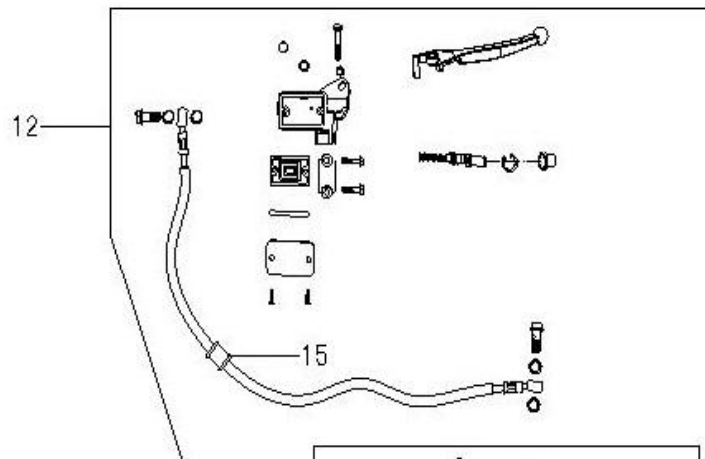
车架 FRAME

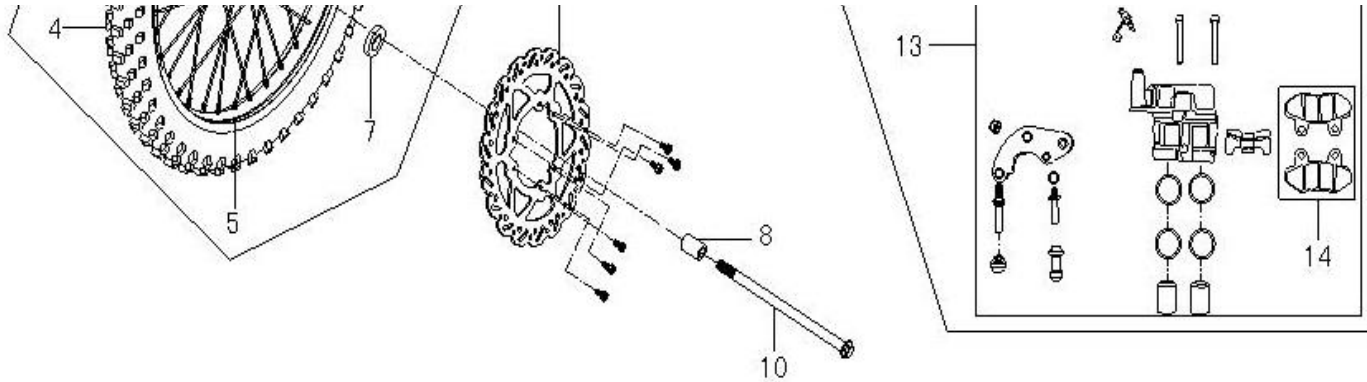
车架 FRAME

序号	件号	规格型号	英文名称
No.	Part No.	Type	Description
1	0700100360411	36	FRAME
2	0703200030410	36	BRACKET ENGINE
3	0703300030410	36	UNDER ENGINE SUPPORT
4	0702300170410	36	SUB-FRAME
5	0701605020410	36	FUEL TANK BRACKET
6	1001400060008	36	AIR DEFLECTORS
7	0703901230107	M14X1.5X275mm	SWING ARM AXIS
8	0702900050410	36	BRACKET OF AIR DEFLECTORS
9	0703600010411	30_铁	
10	0703000010410	29_铁	



9





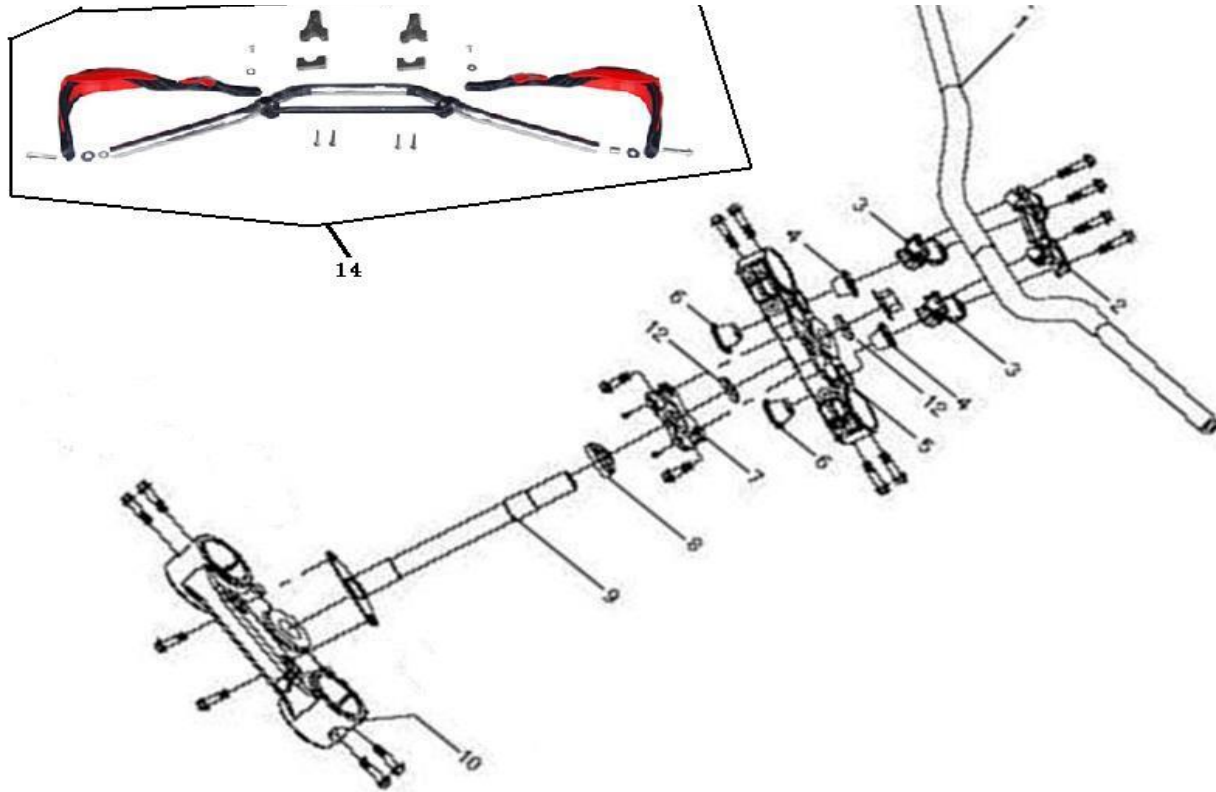
前轮/前碟刹 FR. WHEEL/FR. DISK BRAKE

前轮/前碟刹 FR.WHEEL/FR.BRAKE ASSY.

序号	件号	规格型号	英文名称
No.	Part No.	Type	Description
2	0704814010010	F-M12-1. 6X21 (250-3)	FR.HUB 1.85×21 alloy
3	1806204050101	21" _长252mm(铁. 碟刹. 250-3. 含螺母)	SPOKE, FR.WHEEL 21"
4	901100120010	深纹_80/100-21(振威)	FR.TIRE 90/90-21
5	0901103080010	21"	INNER TUBE PROTECTOR 21"
6	1401106010001	80/100-21_碟刹_250-3铁_深纹轮胎	FRONT WHEEL
7	1806209030010	6202RS	OIL SEAL
8	0703904200107	Φ 12. 5X Φ 20X23mm	
8	0703904360107	Φ 12. 5X Φ 20X29mm	R.SPACER, FR.WHEEL
9	0701301130001	30-H Φ 58X Φ 240	FRONT-BRAKE DISK
10	703902140107	M12X1. 25X225mm_10. 9级	FRONT AXLE
11	0803701041501	M12X1. 25	NUT

后轮/后制动器 RR.WHEEL/RR. BRAKE ASSY.

序号	件号	规格型号	英文名称
No.	Part No.	Type	Description
2	0704803010010	F-M14-2. 15X18 (250-3)	ALLOY RIM, RR.HUB 2.5×18
3	1806304040101	18" _长221mm	INNER SPOKE,RR.WHEEL18"
4	0901200100010	深纹_110/90-18(振威)	RR.TIRE 140/80-18
5	0901103060010	18"	INNER TUBE PROTECTOR 18"
6	1401709010001	110/90-18	REAR WHEEL
7	1806209010010	25X42	OIL SEAL
8	0703905200107	Φ 15. 5XΦ 25X36mm	SPACER
8	0703905020107	Φ 15. 5XΦ 25X13. 5mm	SPACER
9	0703905210107	Φ 15. 5XΦ 25X29mm	SPACER
11	0701800190101	D38(530-58X38T)_铁	SPROCKET
12	0701302130001	30-HΦ 58XΦ 220	REAR-DISC
13	0703903220107	M14X1. 5X265mm_10. 9级	REAR AXLE
14	0803701080107	M14X1. 5	NUT
15	1401502210010	36低配-弯形接头_管长580mm-(主泵36款, 分泵30款)	REAR BRAKE ASSY.
16	1401503050009	大A型-铜	RR.BRAKE PAD SET
17	1402902030001	29BC. 30. 30D. 30EF系列	RR .CALIPER ASSY.
18	0901702070010	30D系列. 30EF	RR .BRAKE HOSE
19			RR MASTER CYLINDER ASSY

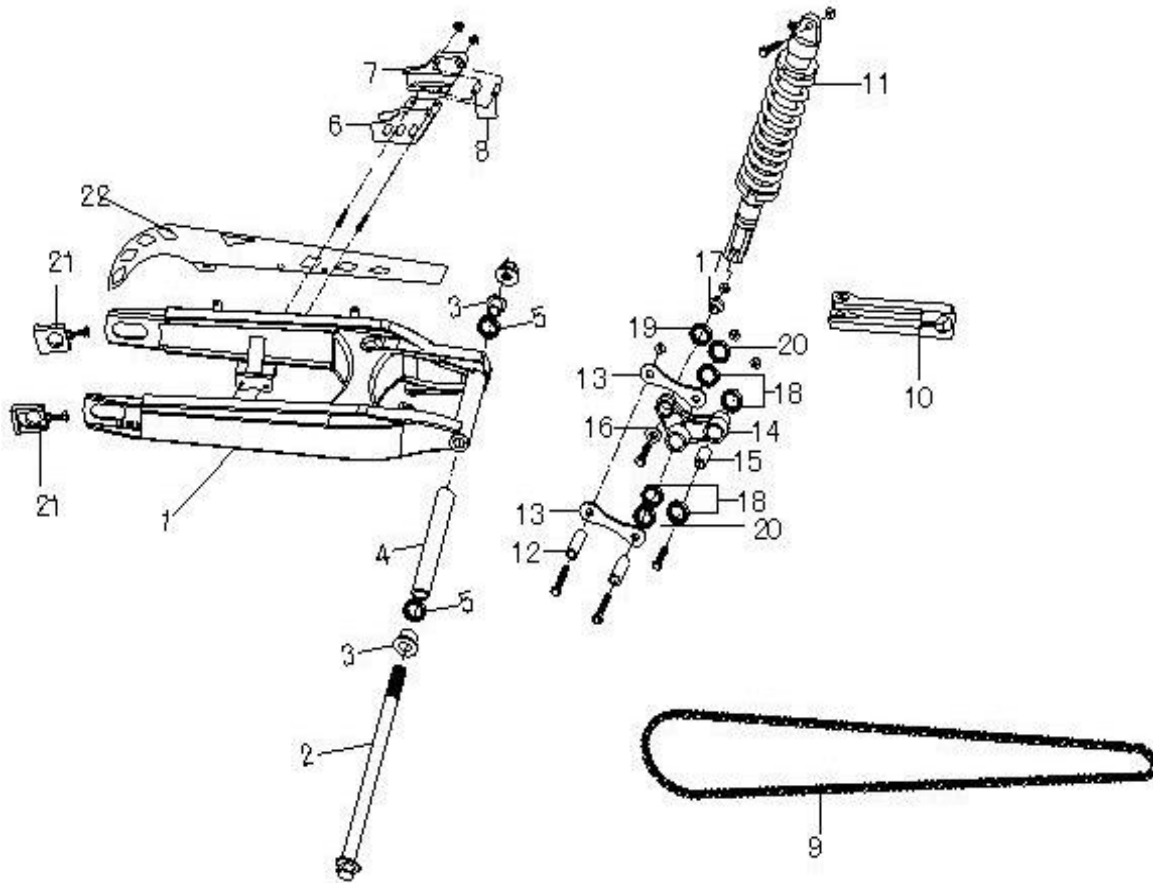


方向把/方向柱
HANDLE BAR/STEERING STEM

方向把/方向柱 HANDLE BAR/STEERING STEM

序号	件号	规格型号	英文名称
No.	Part No.	Type	Description
1	0700900110410	AGB36低配- ϕ 22mm \times 800mm_铁	HANDLE BAR
2	0100401030801	29B_20mm_铝	RISER,TOP BRACKET
3	0100402030801	29B_55mm_铝	RISER,BOTTOM

5	0100701140810	36低配_φ25	TRIPLE CLAMP.TOP	A8
6	0701200020201	M25(S32*25*1)	NUT STEERING UPPER	
7	0701606030411	36低配	BRACKET FOR SPIGOT LOCK	
8	0701100030101	M25*1*62	STEERING STEM LOCK NUT	
9	0701000160107	36-M25×1×268mm_铁	STEERING STEM	
10	0100702130801	36低配_φ28	TRIPLE CLAMP.BOTTOM	
12	0803501020101	320/28	BEARING	

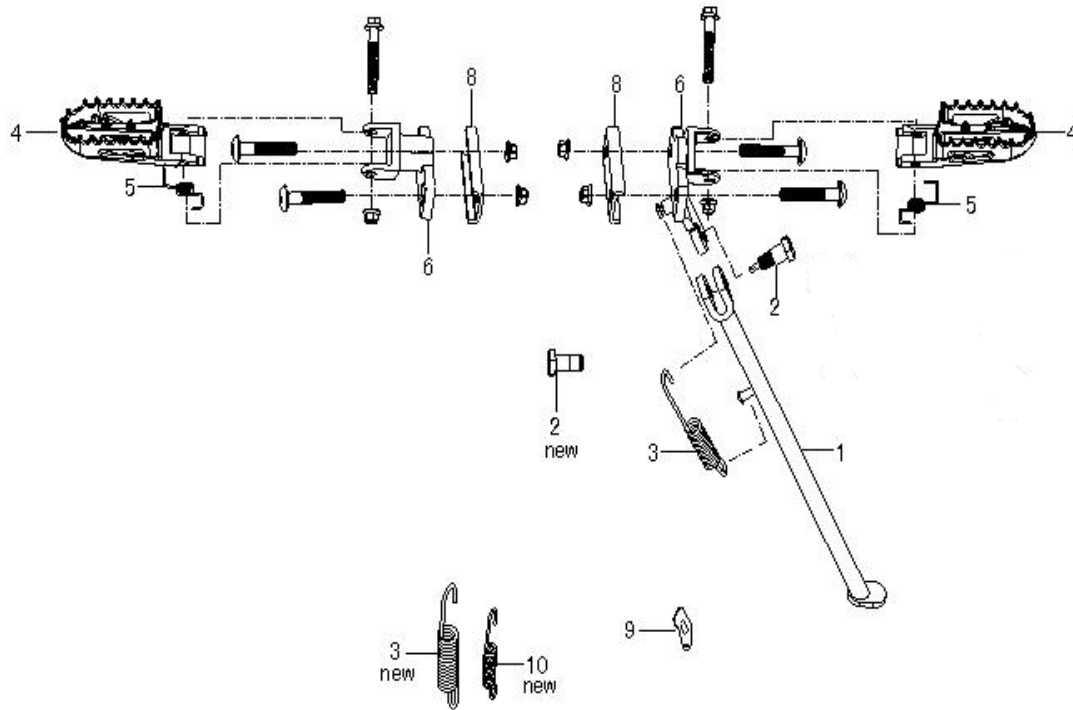


后叉 RR. SWINGARM

后叉 RR. SWINGARM

序号	件号	规格型号	英文名称
No.	Part No.	Type	Description
1	0700200310410	36	REAR SWING ARM
2	0703901230107	M14X1.5X275mm	REAR SWING ARM BOLT
3	0703800080107	Φ 15.5X Φ 20X18(台阶 Φ 30X3mm)	STEP BEARING
4	0710105030107	Φ 15.5X Φ 21X170mm	CHAIN-GUIDE INSERT
5	0803301040101	HK2016	NEEDLE BEARING
5	0803301010101		
6	1401400030411	30	CHAIN GUIDE-BRACKET
7	1000700030010	30	CHAIN-GUIDE INSERT
8	0710109040107	Φ 7X Φ 12X33mm	SPACER
9	0701700240001	530-112节	CHAIN
10	0900500070010	36	BUFFER CHAIN
11	1401203881017	30E-可调. 435mm*1200LB*Φ 10*23mm*20mm	REAR SHOCK
12	0710103040001	Φ 12.5X Φ 18X61mm	SPACER
13	0702800020411	36	LOWERING LINK
14	0100800010501	30	SUSPENSION LINKAGE
15	0710103040001	Φ 12.5X Φ 18X40mm	SPACERΦ12×Φ18×40
16	0710103040001	Φ 10X Φ 16X17(台阶 Φ 25X1.5)	STEP BUSH
17	0710103030001	Φ 10.5X Φ 16X17(台阶 Φ 16X15mm)	STEP BUSH
18	0803301010101	HK1812	NEEDLE BEARING HK18126

19	0803301030101	HK1616	NEEDLE BEARING HK1612
20	0805101020001	φ 18X φ 26X5mm	DUSTPROOF SEAL
20	0805101030001		
21	0501800030501	31	R.ADJUSYER COMP, CHAIN
22	1002300040010	半包型	CHAIN COVER



脚踏/侧支架
 FOOT PEG/KICK STAND ASSY

脚蹬/侧支架 FOOT PEGS / SIDE STAND

序号	件号	规格型号	英文名称
No.	Part No.	Type	Description
1	0701610090410	直-325mm-双弹簧(开档8.5)	SIDE STAND FOR DOUBLE SPQING
2	0804401051501	双弹簧-直	SIDE STAND BOLT (FOR DOUBLE SPRING)
3	0803203020101	130mm	DOUBLE SPRING,SIDE STAND (OUTSIDE)
4	0400100050411	31款	FOOT PEGS
5	0802901040101	配新款踏脚	SPRING,FOOT PEGS